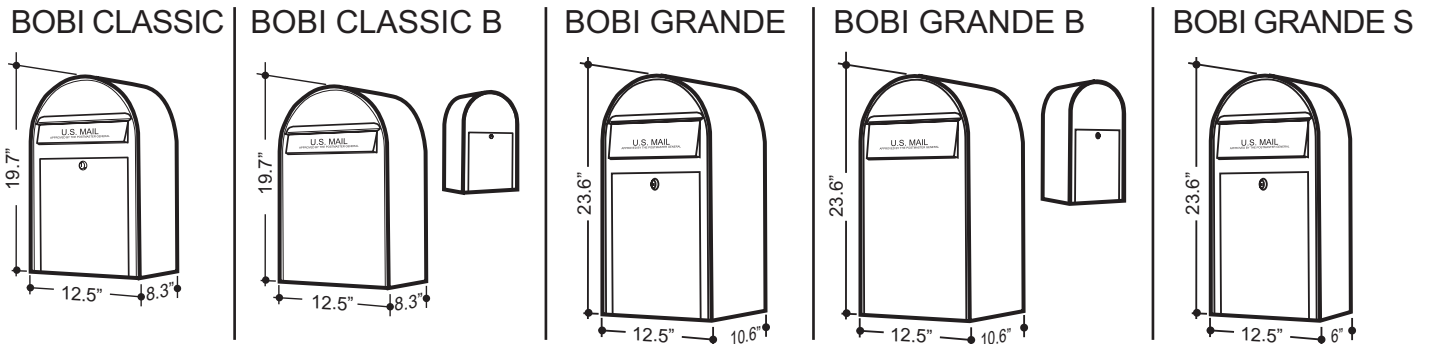


# INSTALLING INSTRUCTIONS FOR CURBSIDE



BOBI CLASSIC (Bo37000A), BOBI CLASSIC B(Bo39000A), BOBI GRANDE (Bo22000), BOBIGRANDE B (Bo25000) and BOBI GRANDE S (Bo55000) are approved by the United States Postal Service for curbside delivery. USPS-STD-7B

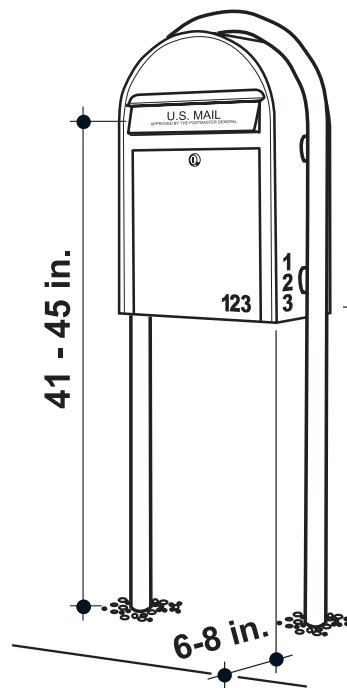


## Post Office Requirements for Installation of Bobi mailbox for homeowners with curbside delivery.

Mailbox must be placed on the righthand side of the road in the direction of travel of the carrier.

The mailbox must be placed to conform state laws and highway regulations, and must be accessible to the carriers without leaving their vehicles.

Contact your local post office before installing the mailbox to ensure its correct placement and height at the street.



A curbside mailbox must bear a box or house number, inscribed in neat numerals at least 1" high in the side of the box or on the door if boxes are grouped. The mailbox may also bear the owner's name

**CUSTOMERS ARE REQUIRED TO CONTACT THE LOCAL POST OFFICE BEFORE INSTALLING THE MAILBOX TO ENSURE ITS CORRECT PLACEMENT AND HEIGHT AT THE STREET. GENERALLY, MAILBOXES ARE INSTALLED AT A HEIGHT OF 41-45 in. FROM THE ROAD SURFACE TO INSIDE FLOOR OF THE MAILBOX OR POINT OF MAIL ENTRY (LOCKED DESIGNS) AND ARE SET BACK 6-8 in. FROM FRONT FACE OF CURB OR ROAD EDGE TO THE MAILBOX DOOR.**

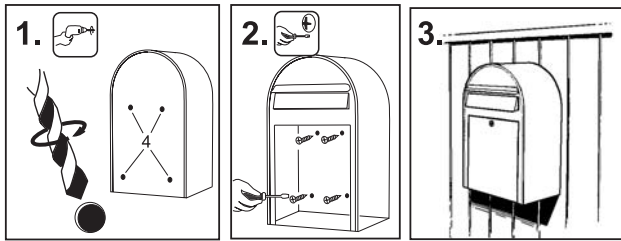
**THIS IS A LIMITED SERVICE MAILBOX (WITHOUT FLAG) AND IT IS ONLY INTENDED FOR CUSTOMERS WHO DO NOT WANT POSTAL CARRIERS TO PICK-UP THEIR OUT-GOING MAIL. UNLESS POSTAL CARRIERS HAVE MAIL TO DELIVER THEY WILL NOT STOP AT LIMITED SERVICE MAILBOXES.**

**IT IS IMPORTANT TO NOTE THAT IT IS NOT THE RESPONSIBILITY OF MAIL CARRIERS TO OPEN MAILBOXES THAT ARE LOCKED, ACCEPT KEYS FOR THIS PURPOSE, OR LOCK MAILBOXES AFTER DELIVERY OF THE MAIL.**

# MOUNTING INSTRUCTIONS



## Mounting a BOBI mailbox to a wall or fence

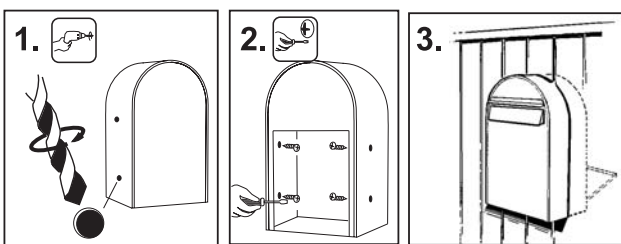


Drill out the 4 preformed holes which are in the back of the mailbox using a 1/4" or 6 mm drillbit.

**Attention!** Holes should be drilled with a low speed drill ( maximum 500 rpm ) and on stainless steel mailboxes it is recommended to use a drillbit made from hardened steel.

Fix the mailbox from inside using the 4 screws provided.

## Mounting a BOBI mailbox through a fence

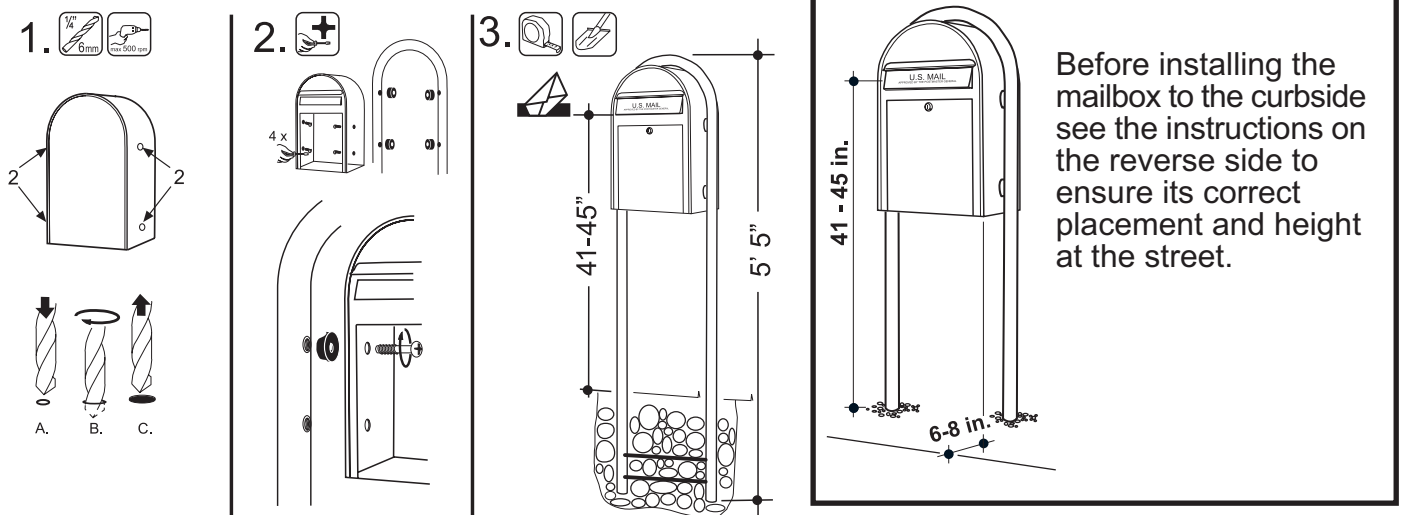


Drill out the 4 preformed holes which are on the side of the mailbox using a 1/4" or 6 mm drillbit.

**Attention!** Holes should be drilled with a low speed drill ( maximum 500 rpm ) and on stainless steel mailboxes it is recommended to use a drillbit made from hardened steel.

Fix the mailbox from inside using the 4 screws provided.

## Mounting a BOBI mailbox on a BOBI ROUND stand



1. Drill out the 4 preformed holes which are on the side of the mailbox using a 1/4" or 6mm drillbit.  
**Attention!** Holes should be drilled with a low speed drill (maximum 500 rpm) and on stainless steel mailboxes it is recommended to use a drillbit made from hardened steel.
2. Fasten the mailbox to the stand using the fittings provided.
3. Dig a hole ca. 17" x 17" x 17". Place the mailbox and stand in the ground, check the level and fill the hole with coarse gravel or concrete. We recommend using a quick set concrete for a secure and solid installation.