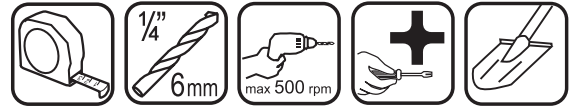
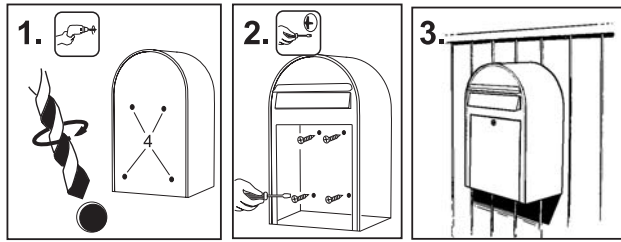


MOUNTING INSTRUCTIONS FOR BOBI & BOBI ROUND



Mounting a BOBI mailbox to a wall or fence

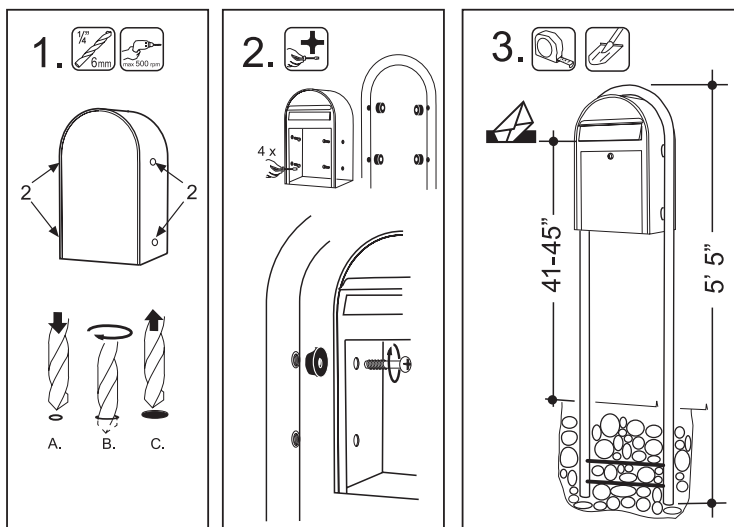


Drill out the 4 preformed holes which are in the back of the mailbox using a 1/4" or 6mm drillbit.

Attention! Holes should be drilled with a low speed drill (maximum 500 rpm) and on stainless steel mailboxes it is recommended to use a drillbit made from hardened steel.

Fix the mailbox from inside using the 4 screws provided.

Mounting a BOBI mailbox on a BOBI ROUND stand



1. Drill out the 4 preformed holes which are on the side of the mailbox using a 1/4" or 6mm drillbit.

Attention! Holes should be drilled with a low speed drill (maximum 500 rpm) and on stainless steel mailboxes it is recommended to use a drillbit made from hardened steel.

2. Fasten the mailbox to the stand using the fittings provided.

3. Dig a hole ca. 17" x 17" x 17". Place the mailbox and stand in the ground, check the level and fill the hole with coarse gravel or concrete. We recommend using a quick set concrete for a secure and solid installation.



Before installing the mailbox we recommend you check with your local Postal Authorities to determine exact height and placement requirements.

As a guide we suggest placing the mail-slot opening at 41" to 45" off the ground.

Please note your local Postal Authority may require specific height and placement requirements so please check before installation.

Save your key code

Please note and save your key code number. You'll need it for ordering replacement or extra keys



www.bobi.com

On our web site you can find information on:

- step by step installation instructions and pictures.
- ordering form for extra or replacement keys.
- cleaning & maintenance instructions.